



PRODUCT SPECIFICATION

Model No : CSS-1019F-21

Descriptions:
<ul style="list-style-type: none"> • 1.0 Inch Single Digit Display Common Anode • Emitting Color: Bright Green • Black Face • White Segment



CUSTOMER APPROVED	APPROVED BY	CHECKED BY	PREPARED BY
SIGNATURES			陈新强

CHINA SEMICONDUCTOR CORPORATION
Address: 2FL. NO.909, Chung-Cheng Road,
Chung-Ho City Taipei Hsien, Taiwan.

OPTO PLUS TECHNOLOGIES CO.,LTD
Address: 696 Shun jiang Rd., Ji Shan St. Shaoxing,
ZheJiang, China

Tel: 886-2-2223-9696
Fax: 886-2-2223-9377

Tel: 86-0575-8623888
Fax: 86-0575-8623112



Spec. No.	PS-ND-0711
Rev.	A

Model No : CSS-1019F-21

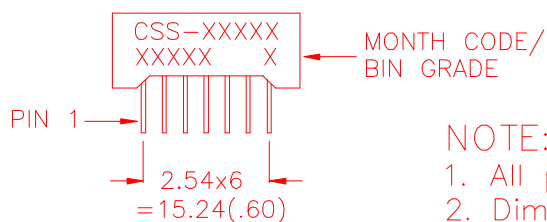
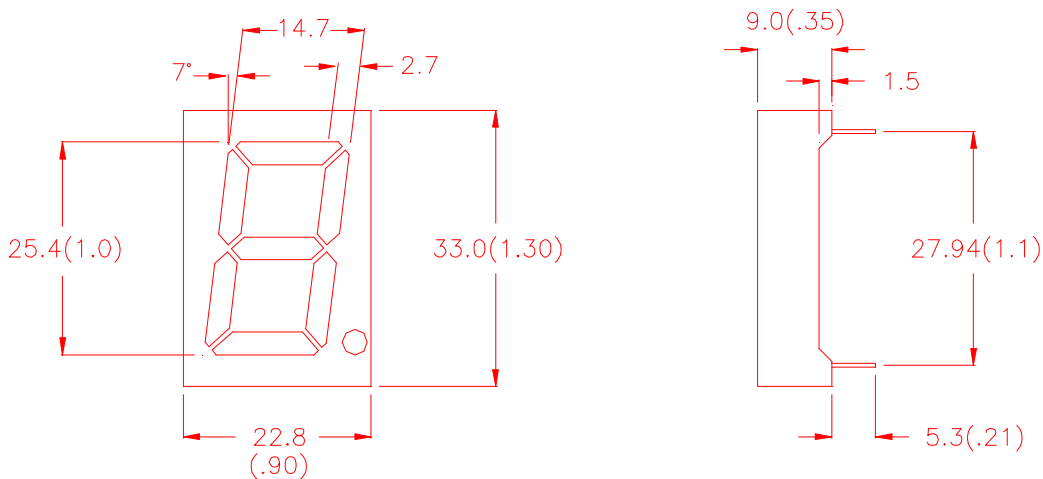
■ Features -

1. 1.0 inch (25.4mm) dight height.
2. Case mold type.
3. RoHs compliant.
4. Low power consumption.
5. ESD>1KV(HBM)
6. Easy mounting on P.C. board or socket.

■ Device Selection Guide -

Part No.	Chip		Face / Segment
	Material	Emitted Color	
CSS-1019F	GaP	Bright Green	Black / White

■ Package Dimensions -



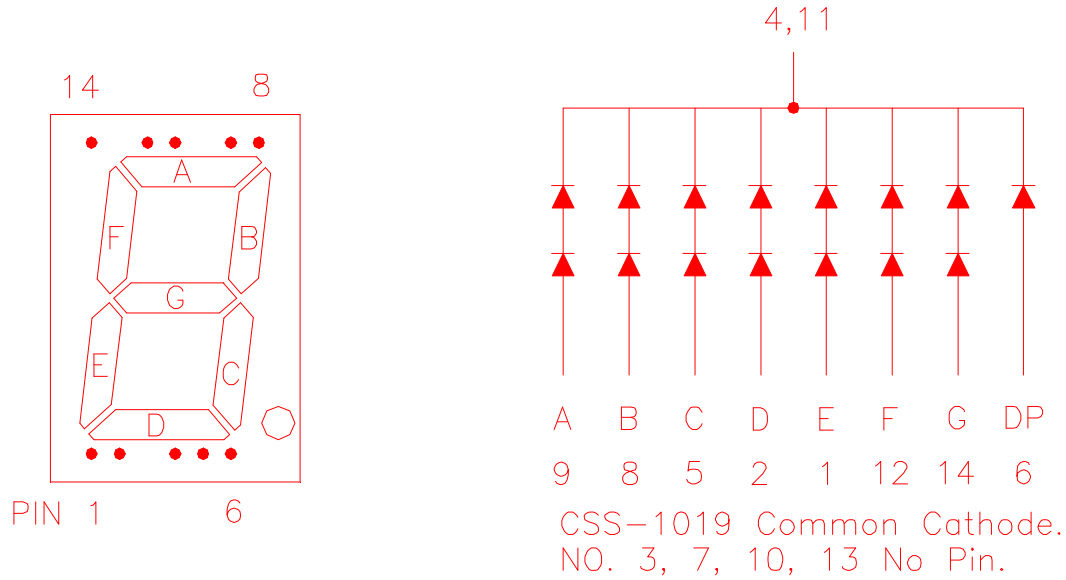
NOTE:

1. All pins are $\phi 0.5(.02)$.
2. Dimension in millimeter (inch), and tolerance is $\pm 0.25 (.01)$ unless otherwise noted.



Model No: CSS-1019F-21

Internal Circuit Diagrams -



Absolute Maximum Rating -

(Ta=25°C)

Parameter	Symbol	Rating	Unit
Power Dissipation Per Dice	Pd	85	mW
Continuous Forward Current Per Dice	IAF	30	mA
Peak Current Per Dice	IPF	200	mA
Reverse Voltage Per Dice	VR	5	V
Operating Temp.	Topr	-25 ~ +85	°C
Storage Temp.	Tstg	-25 ~ +85	°C
Solder emperature 1/16 inch below seating plane for 3 seconds at 260 °C			



Model No : CSS-1019F-21

■ **Electro-optical Characteristics -**

(Ta=25°C)

Parameter	Symbol	Min.	Typ.	Max.	Unit	Condition
Forward Voltage Per Segment(DP)	V_F	-	4.2(2.1)	5.6(2.8)	V	I _F =20mA
Luminous Intensity Per Segment	I_V	-	24	-	mcd	
Peak Emission Wavelength	λ_P	-	570	-	nm	
Spectrum Radiation Bandwidth	$\Delta \lambda$	-	30	-	nm	
Reverse Current	I_R	-	-	100	μA	V _R =10V



Model No: CSS-1019F-21

Typical Electrical / Optical Characteristics Curves -

(Ta = 25°C Unless Otherwise Noted)

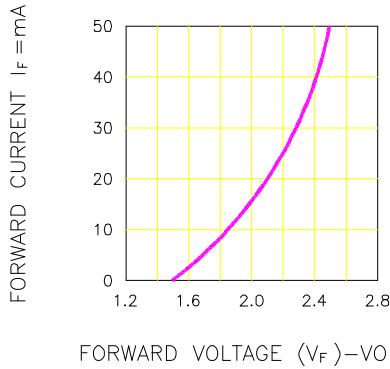


Fig.1 FORWARD CURRENT VS. FORWARD VOLTAGE

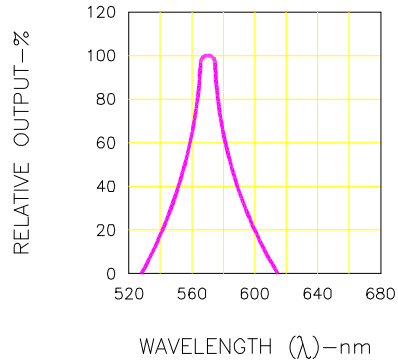


Fig.2 SPECTRAL RESPONSE

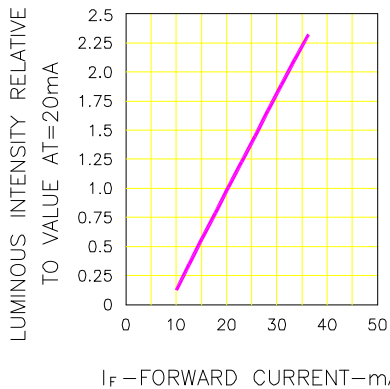


Fig.3 RELATIVE LUMINOUS INTENSITY VS. FORWARD CURRENT

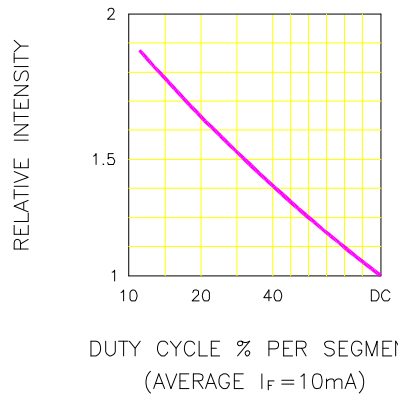


Fig.5 LUMINOUS INTENSITY VS. DUTY CYCLE

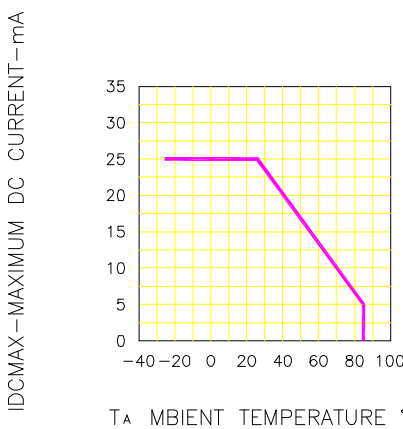


Fig.4 MAXIMUM ALLOWABLE DC CURRENT PER SEGMENT VS. A FUNCTION OF AMBIENT TEMPERATURE

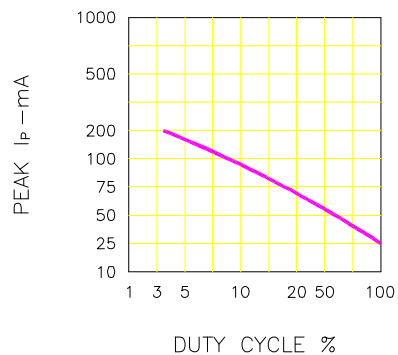


Fig.6 MAX PEAK CURRENT VS. DUTY CYCLE % (REFRESH RATE f=1 KHz)



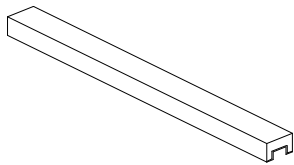
Spec. No.	PS-ND-0711
Rev.	A

Model No: CSS-1019F-21

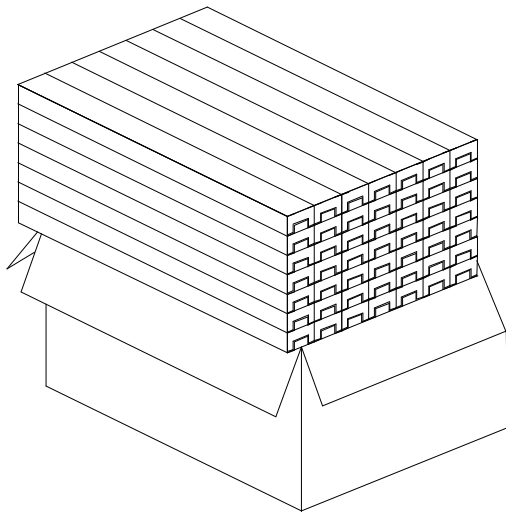
■ Package Dimensions

CSS-1019F-21

Single Digit Display
Dice Code

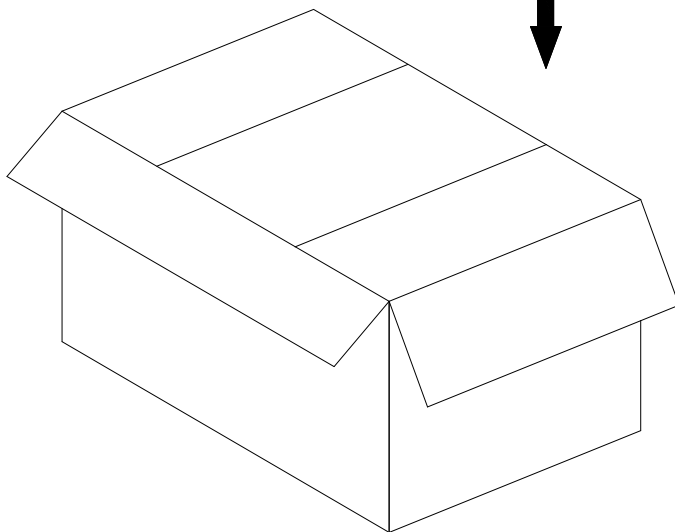


20 PCS per tube



49 Tubes per inner box

Total Q'TY: 980 pcs



3 Inner boxes per carton.

Total Q'TY: 2940 pcs

Box size:
L54xW48.5xH30.5cm