



PRODUCT SPECIFICATION

Model No : CSS-2314D-21

Descriptions:
<ul style="list-style-type: none"> • 2.3 Inch Single Digit Display • Common Anode • Emitting Color: Super Bright Red • Black Face • White Segment



CUSTOMER APPROVED	APPROVED BY	CHECKED BY	PREPARED BY
SIGNATURES	Jack Wu	Don	陳新強

CHINA SEMICONDUCTOR CORPORATION
Address: 2FL. NO.909, Chung-Cheng Road,
Chung-Ho City Taipei Hsien, Taiwan.

Tel: 886-2-2223-9696
Fax: 886-2-2223-9377

OPTO PLUS TECHNOLOGIES CO., LTD
Address: 696 Shun jiang Rd., Ji Shan St. Shaoxing,
ZheJiang, China

Tel: 86-0575-8623888
Fax: 86-0575-8623112



Spec. No.	PS-ND-0711
Rev.	A

Model No : CSS-2314D-21

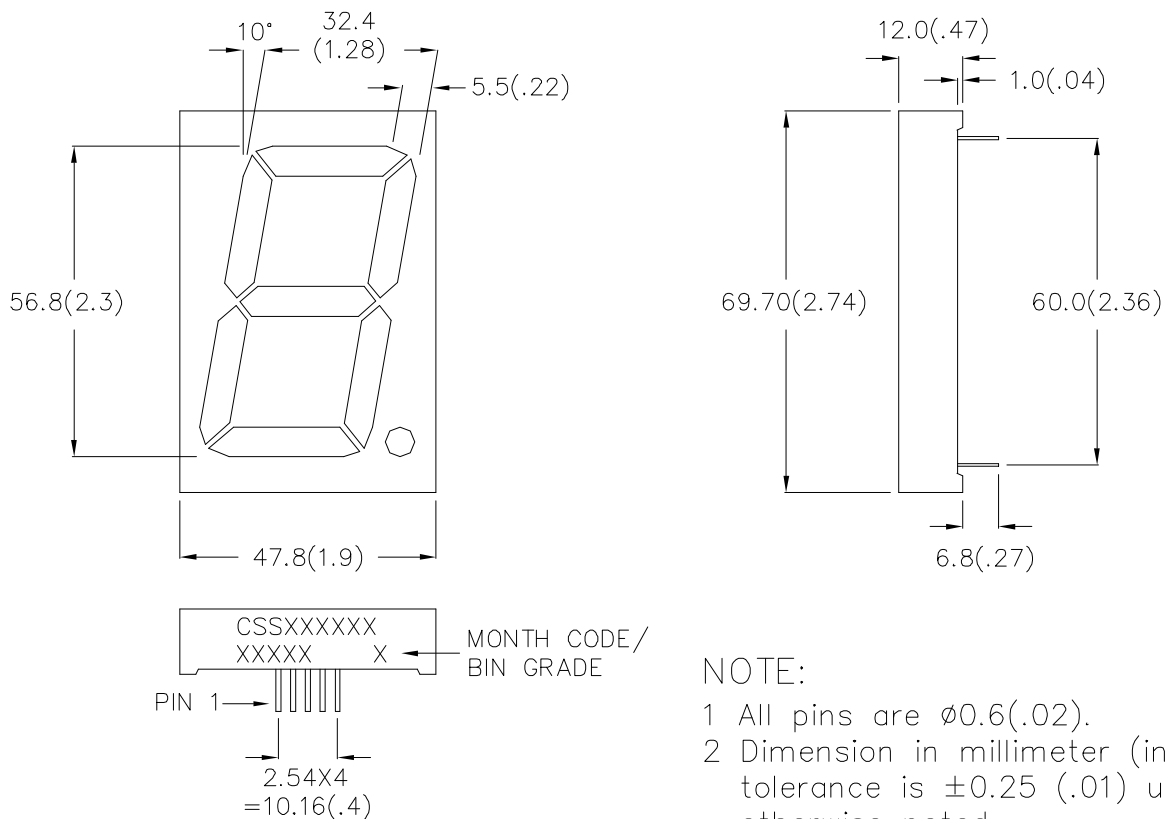
Features -

1. 2.3 inch (56.8mm) digit height.
2. Case mold type.
3. RoHs compliant.
4. Low power consumption.
5. ESD>1KV(HBM)
6. Easy mounting on P.C. board or socket.

Device Selection Guide -

Part No.	Chip		Face / Segment
	Material	Emitted Color	
CSS-2314D	AlGaAs	Super Bright Red	Black / White

Package Dimensions -



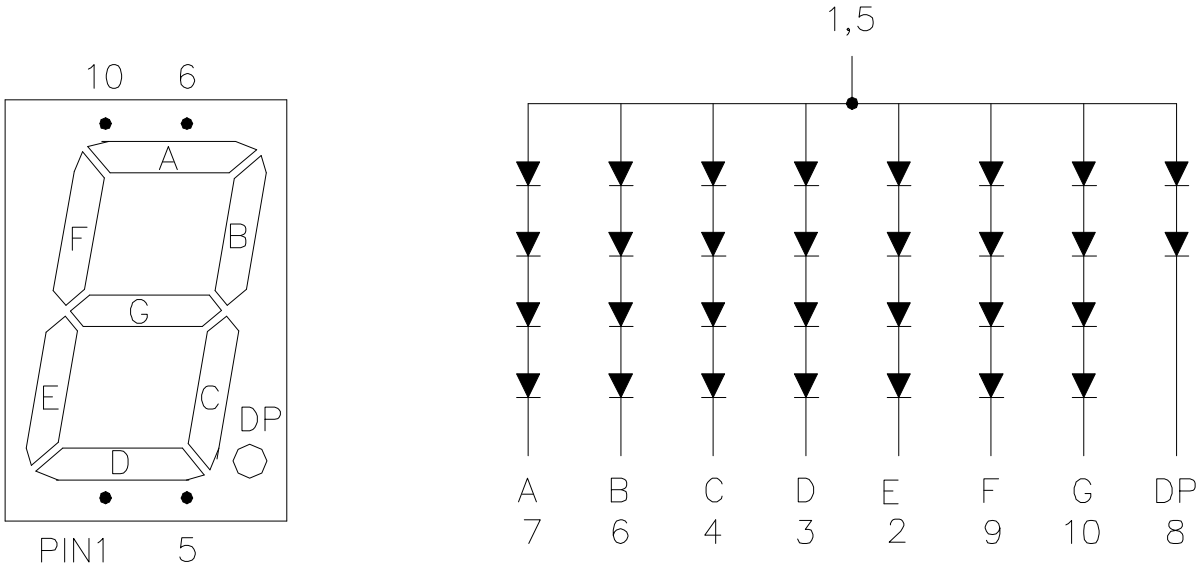
NOTE:

- 1 All pins are $\varnothing 0.6 (.02)$.
- 2 Dimension in millimeter (inch), and tolerance is $\pm 0.25 (.01)$ unless otherwise noted.



Model No: CSS-2314D-21

Internal Circuit Diagrams -



Absolute Maximum Rating -

(Ta=25°C)

Parameter	Symbol	Rating	Unit
Power Dissipation Per Dice	Pd	75	mW
Continuous Forward Current Per Dice	IAF	30	mA
Peak Current Per Dice	IPF	200	mA
Reverse Voltage Per Dice	VR	5	V
Operating Temp.	Topr	-25 ~ +85	°C
Storage Temp.	Tstg	-25 ~ +85	°C
Solder emperature 1/16 inch below seating plane for 3 seconds at 260°C			



Model No : CSS-2314D-21

Electro-optical Characteristics -

(Ta=25°C)

Parameter	Symbol	Min.	Typ.	Max.	Unit	Condition
Forward Voltage Per Segment(DP)	V _F	-	7.2(3.6)	10(5.0)	V	I _F =20mA
Luminous Intensity Per Segment	I _v	-	100	-	mcd	
Peak Emission Wavelength	λ _P	-	660	-	nm	
Spectrum Radiation Bandwidth	Δλ	-	20	-	nm	
Reverse Current	I _R	-	-	100	μA	V _R =20V



Model No : CSS-2314D-21

Typical Electrical / Optical Characteristics Curves -

(Ta = 25°C Unless Otherwise Noted)

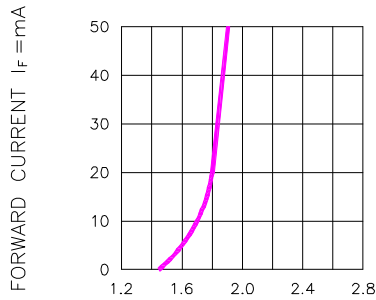


Fig.1 FORWARD CURRENT VS. FORWARD VOLTAGE

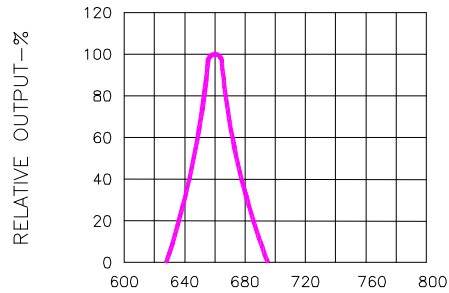


Fig.2 SPECTRAL RESPONSE

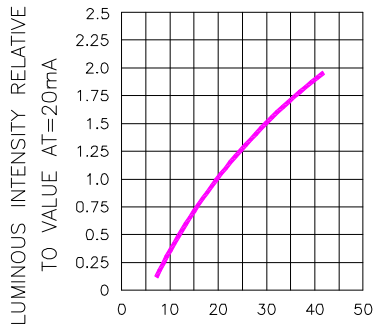


Fig.3 RELATIVE LUMINOUS INTENSITY VS. FORWARD CURRENT

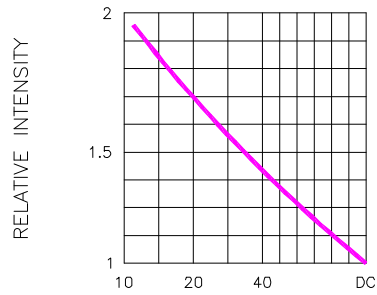


Fig.5 LUMINOUS INTENSITY VS. DUTY CYCLE

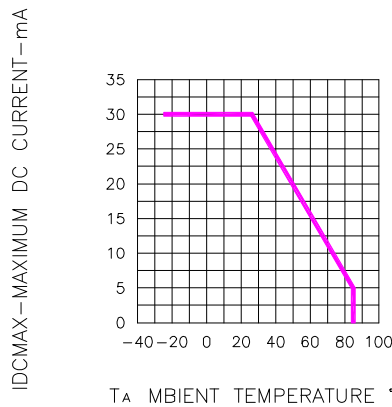


Fig.4 MAXIMUM ALLOWABLE DC CURRENT PER SEGMENT VS. A FUNCTION OF AMBIENT TEMPERATURE

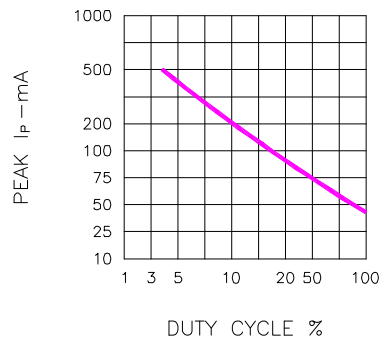


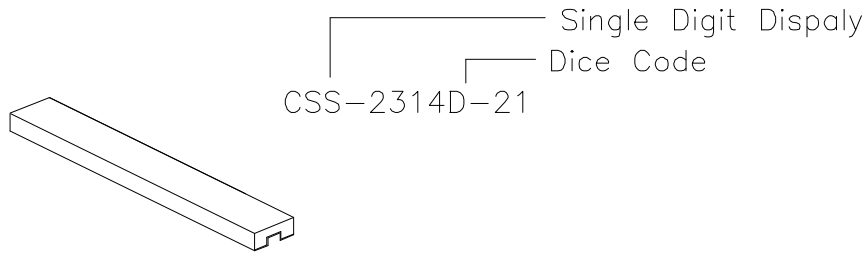
Fig.6 MAX PEAK CURRENT VS. DUTY CYCLE % (REFRESH RATE f=1 KHz)



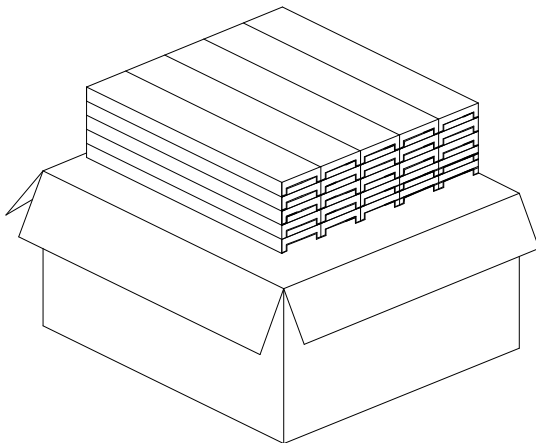
Spec. No.	PS-ND-0711
Rev.	A

Model No: CSS-2314D-21

■ Package Dimensions



10 pcs per Tube



16 Tubes per Box

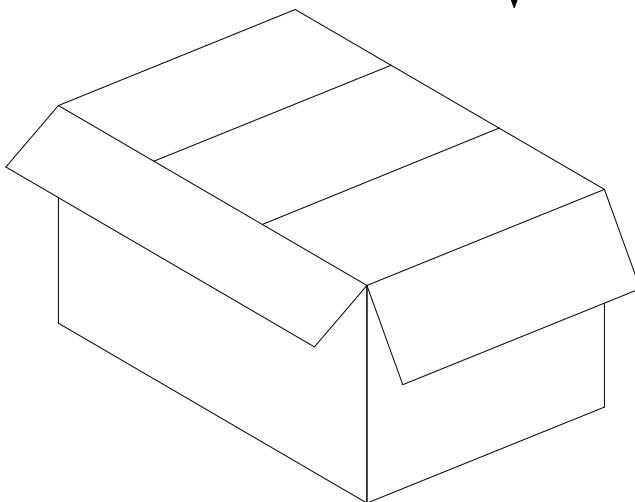
Q'TY: 160 PCS.

BOX SIZE:
L529xW255xH139mm



3 Boxes per Carton

Q'TY:480 PCS.



CARTON SIZE:
L540xW485xH305mm