



PRODUCT SPECIFICATION

Model No : CSS-1814D-21

Descriptions:
<ul style="list-style-type: none"> • 1.8 Inch Single Digit Display Common Anode • Emitting Color: Super Bright Red • Black Face • White Segment



CUSTOMER APPROVED	APPROVED BY	CHECKED BY	PREPARED BY
SIGNATURES			陳新強

CHINA SEMICONDUCTOR CORPORATION
Address: 2FL. NO.909, Chung-Cheng Road,
Chung-Ho City Taipei Hsien, Taiwan.

Tel: 886-2-2223-9696
Fax: 886-2-2223-9377

OPTO PLUS TECHNOLOGIES CO., LTD
Address: 696 Shun jiang Rd., Ji Shan St. Shaoxing,
ZheJiang, China

Tel: 86-0575-8623888
Fax: 86-0575-8623112



Spec. No.	PS-ND-0711
Rev.	A

Model No : CSS-1814D-21

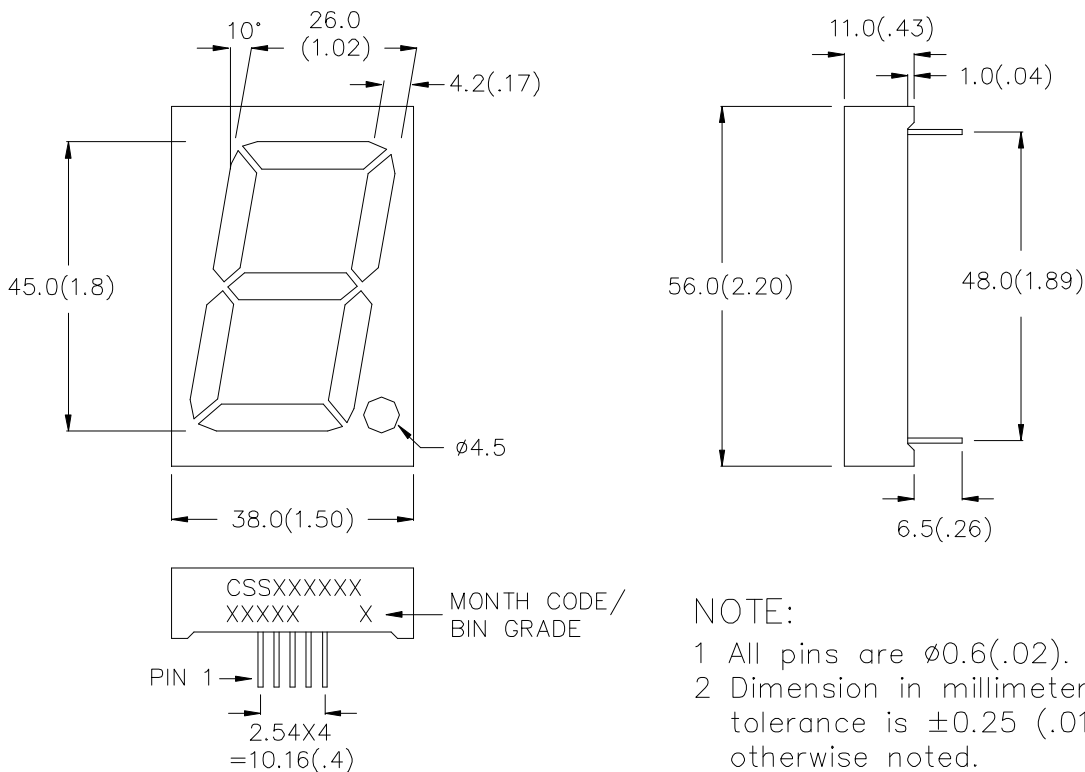
■ Features -

1. 1.8 inch (45.0mm) digit height.
2. Case mold type.
3. RoHs compliant.
4. Low power consumption.
5. ESD>1KV(HBM)
6. Easy mounting on P.C. board or socket.

■ Device Selection Guide -

Part No.	Chip		Face / Segment
	Material	Emitted Color	
CSS-1814D	AlGaAs	Super Bright Red	Black / White

■ Package Dimensions -



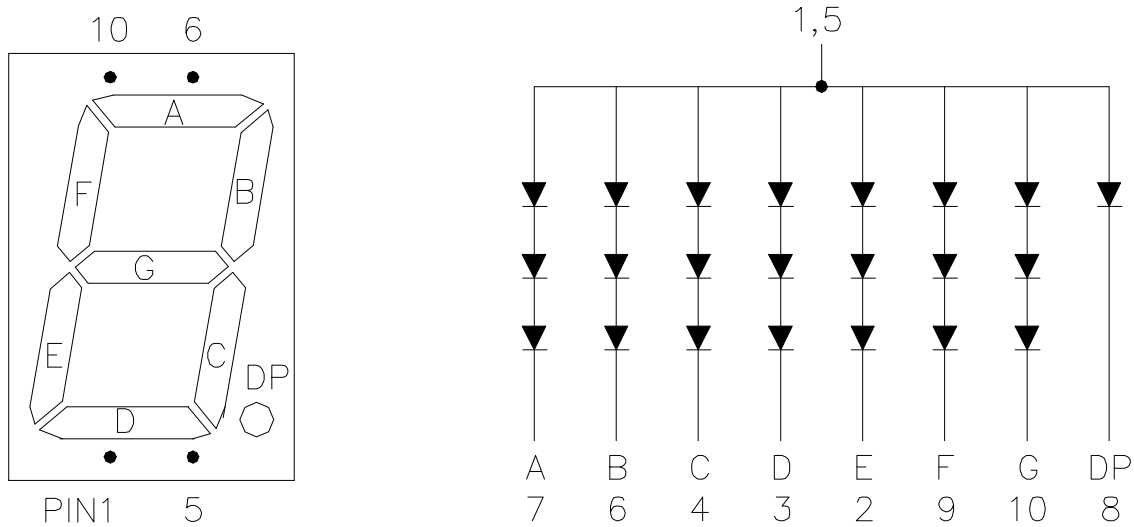
NOTE:

- 1 All pins are $\phi 0.6$ (.02).
- 2 Dimension in millimeter (inch), and tolerance is ± 0.25 (.01) unless otherwise noted.



Model No: CSS-1814D-21

Internal Circuit Diagrams -



Absolute Maximum Rating -

(Ta=25°C)

Parameter	Symbol	Rating	Unit
Power Dissipation Per Dice	Pd	75	mW
Continuous Forward Current Per Dice	IAF	30	mA
Peak Current Per Dice	IPF	200	mA
Reverse Voltage Per Dice	VR	5	V
Operating Temp.	Topr	-25 ~ +85	°C
Storage Temp.	Tstg	-25 ~ +85	°C
Solder emperature 1/16 inch below seating plane for 3 seconds at 260°C			



Model No : CSS-1814D-21

■ **Electro-optical Characteristics -**

(Ta=25°C)

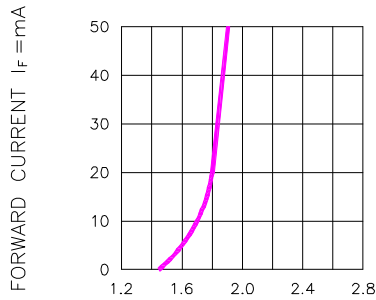
Parameter	Symbol	Min.	Typ.	Max.	Unit	Condition
Forward Voltage Per Segment(DP)	V_F	-	5.4(1.8)	7.5(2.5)	V	I _F =20mA
Luminous Intensity Per Segment	I_V	-	27	-	mcd	
Peak Emission Wavelength	λ_P	-	660	-	nm	
Spectrum Radiation Bandwidth	$\Delta \lambda$	-	20	-	nm	
Reverse Current	I_R	-	-	100	μA	V _R =15V



Model No: CSS-1814D-21

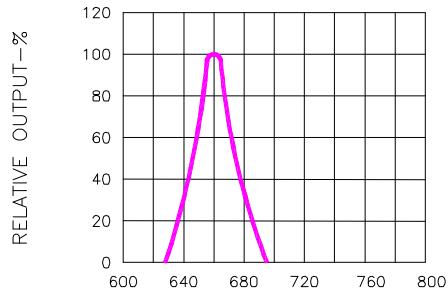
■ Typical Electrical / Optical Characteristics Curves -

(Ta = 25°C Unless Otherwise Noted)



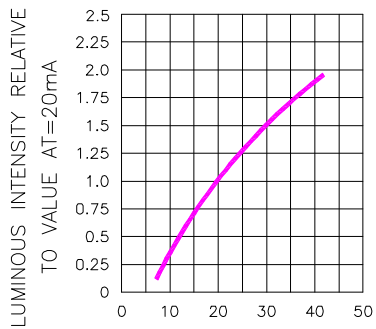
FORWARD VOLTAGE (V_F)—VOLTS

Fig.1 FORWARD CURRENT VS. FORWARD VOLTAGE



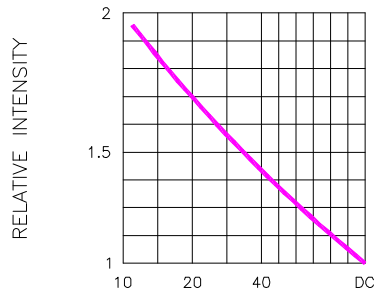
WAVELENGTH (λ)—nm

Fig.2 SPECTRAL RESPONSE



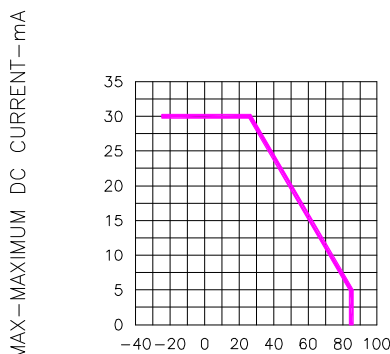
I_F—FORWARD CURRENT—mA

Fig.3 RELATIVE LUMINOUS INTENSITY VS. FORWARD CURRENT



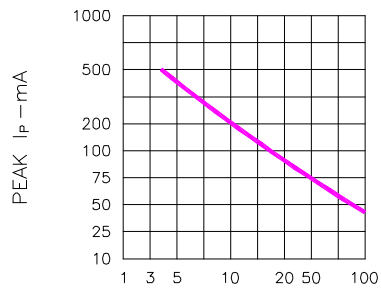
DUTY CYCLE % PER SEGMENT
(AVERAGE I_F = 10mA)

Fig.5 LUMINOUS INTENSITY VS. DUTY CYCLE



T_A AMBIENT TEMPERATURE °C

Fig.4 MAXIMUM ALLOWABLE DC CURRENT PER SEGMENT VS. A FUNCTION OF AMBIENT TEMPERATURE



DUTY CYCLE %

Fig.6 MAX PEAK CURRENT VS. DUTY CYCLE %
(REFRESH RATE f=1 KHz)

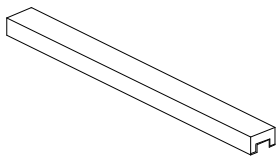


Spec. No.	PS-ND-0711
Rev.	A

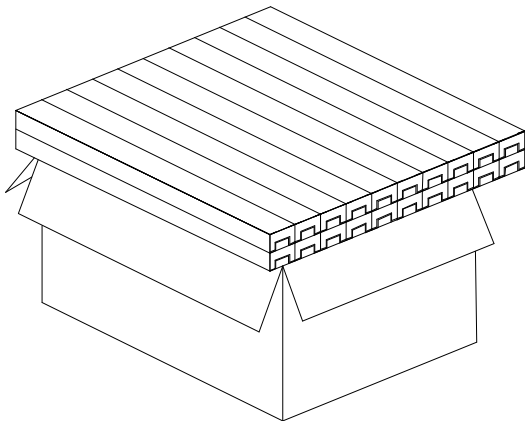
Model No: CSS-1814D-21

■ Package Dimensions

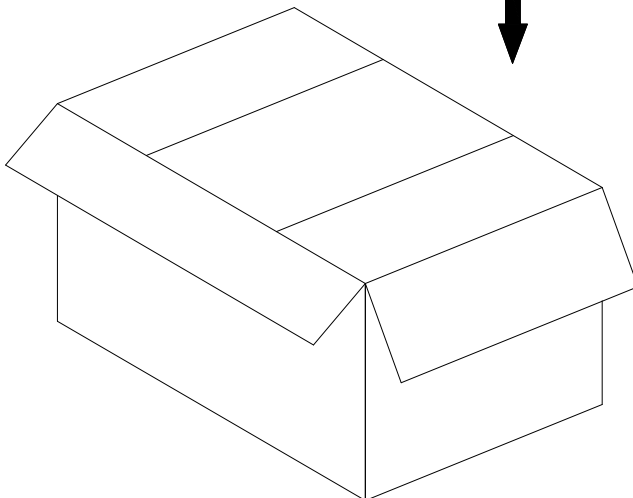
Single Digit Display
Dice Code
CSS-1814D-21



13 PCS per tube



20 Tubes per inner box
Total Q'TY: 260 pcs



3 Inner boxes per carton.
Total Q'TY: 780 pcs

Box size:
L54xW48.5xH30.5cm