

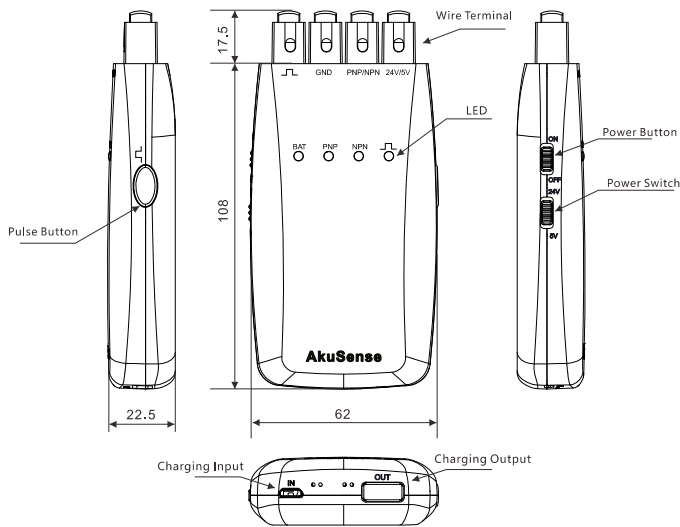


Appearance		
Detection type	NPN/PNP	Auto recognition
Output voltage	4.8~5.2V 19.0~24.0V	5V Output 24V Output
Output current	≤0.4A ≤0.15A	5V Output 24V Output
Battery capacity	2500mAh	
Theoretical working time	10h	24V Output 15mA
Charging time	6h	
Output voltage for charging external device	4.8~5.2V	Portable Power Bank
Operating temperature	-10℃~+45℃	
Weight	145g	
Size	125*62*23mm	
Others functions	Mute Mode, Sleep Mode, Output Short-circuit Protection	
Model No.	WT-2	

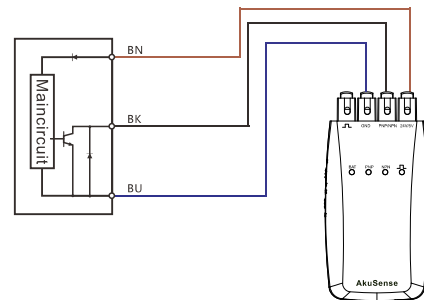
Dimensions

Circuit diagram

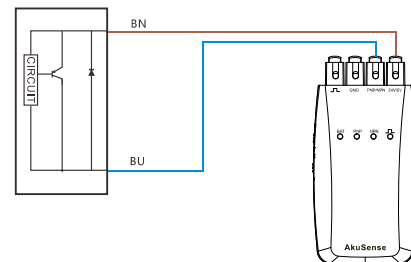
Unit: mm



3-wire:



2-wire:



Accessories



Fiber Optic
Slot Sensors
Photoelectric

Laser

Proximity

Displacement

Magnetic

Contact

Area

Ultrasonic

Vibration

Temperature

Cables

Tester

Guidance

Sensor tester kit

Sensor tester kit

Connecting Cable

M8

M12

Other

Signal conversion Cable

Signal conversion Cable

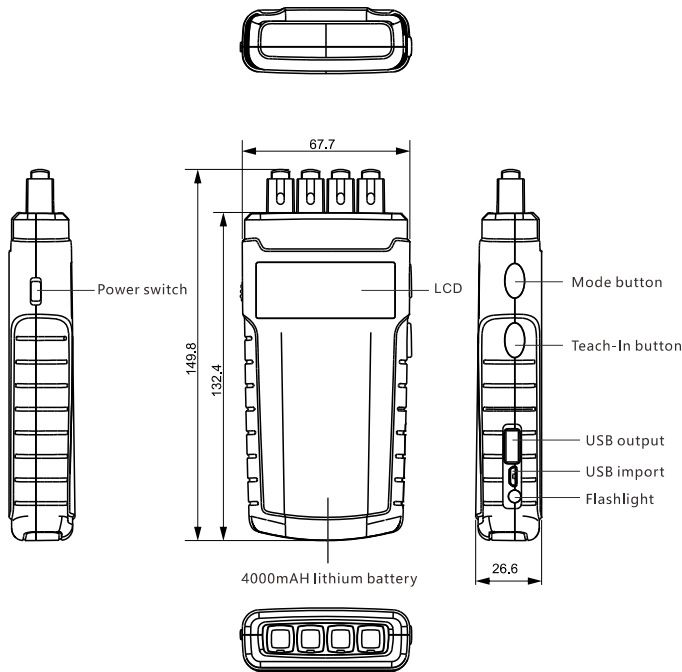
Analog Type



Appearance		
Detection type	NPN/PNP	Auto recognition
Measuring range	0~10V	Voltage mode
	0~20mA	Current mode
Measurement accuracy	≤0.04V(Full range)	Voltage mode
	≤0.04mA(Full range)	Current mode
Scan cycle	22ms	Digital mode
	140ms	Current mode
	140ms	Voltage mode
Output voltage	19V~24V	Brown Terminal Output
	4.8V~5V	USB Output
Output current	≤160mA	Brown Terminal Output
	≤500mA	USB Output
ADC accuracy	15-bit	
Battery capacity	4000mAH	
Charging time	9h	
Other functions	Power over current protection, sleep function, mute function, flashlight	
Working temperature	-10°C~+45°C	
Weight	200g	
Model No.	WD-1	

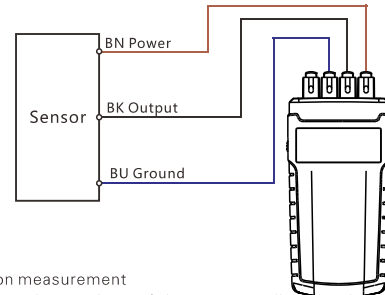
Dimensions

Unit: mm



Circuit diagram

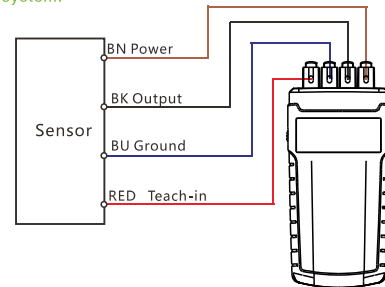
3-wire system:



Common measurement

- 1 Connect the terminals of the corresponding functions and turn on the power.
2. Select the corresponding measurement mode (voltage, current, digital).
3. The measurement results are displayed on the screen.

4-wire system:



Teach-in button

- 1 Connect the corresponding function terminals and turn on the power
- 2 Press the Teach-in button, the screen Teach-in area displays ON, then the red terminal will output high level, release the Teach-in button, the screen Teach-in area displays OFF, then the red terminal will output low level
- 3 Select the corresponding measurement mode (voltage V, current I, switch D)
- 4 The measurement result is displayed on the screen

1 Mode switching

Press the MODE button shortly to switch the test box in three modes: current (I), voltage (V), and switch (D). The customer can select the correct mode and connection according to the sensor type, the test result will be displayed on the screen, and the test box will store the current test mode, and will restore the previous state when it is restarted.

2. Battery

Battery status will be displayed on the upper right corner. The number of grids represents the remaining power. Grids flashing indicates that the power is insufficient and needs to be charged. The flashing during charging indicates the charging progress, when the charging is done, the whole grids will flash.

3. Sleep mode

If the test box does not operate for more than 10 minutes, the test box automatically enters the sleep state, the 24V power supply and the screen will be turned off, press the Mode button or the Teach-IN button, and the test box returns to the operable state.

4. Powerbank mode

Press the mode button in the off state, turn on the power button, the buzzer will sound twice, the test box sleep function will be invalid, the function has no memory, and the sleep function is enabled by default when it is turned on again.

5. Mute mode

Press and hold Teach-in for more than 6s, the buzzer will sound once, and the test box has entered silent mode. In the same operation, the buzzer will sound twice to indicate that the mute mode has been exited, and the test box will store the state, and will remain in the last state when it is turned on again.

6. Teach-in function

Press the teach button, the Teach-in (red) terminal will output a high level voltage, and the voltage logic will match the brown terminal voltage. When the button is released, the Teach-in (red) terminal will output a low level voltage, and the LCD will display the current Teach-in logic state.

7. Flashlight function

Press and hold the mode button for more than 2s, the light will light up, and the same operation can turn off the light.

8. Short circuit protection

When the output current is too high, short circuit protection will be inspired, and the screen will display 'SCP' during short circuit protection. After the short circuit condition is withdrawn, the test box will automatically return to normal state.

Fiber Optic
Slot Sensors
Photoelectric
Laser
Proximity
Displacement
Magnetic
Contact
Area
Ultrasonic
Vibration
Temperature
Cables
Tester

Guidance

Sensor tester kit
Sensor tester kit